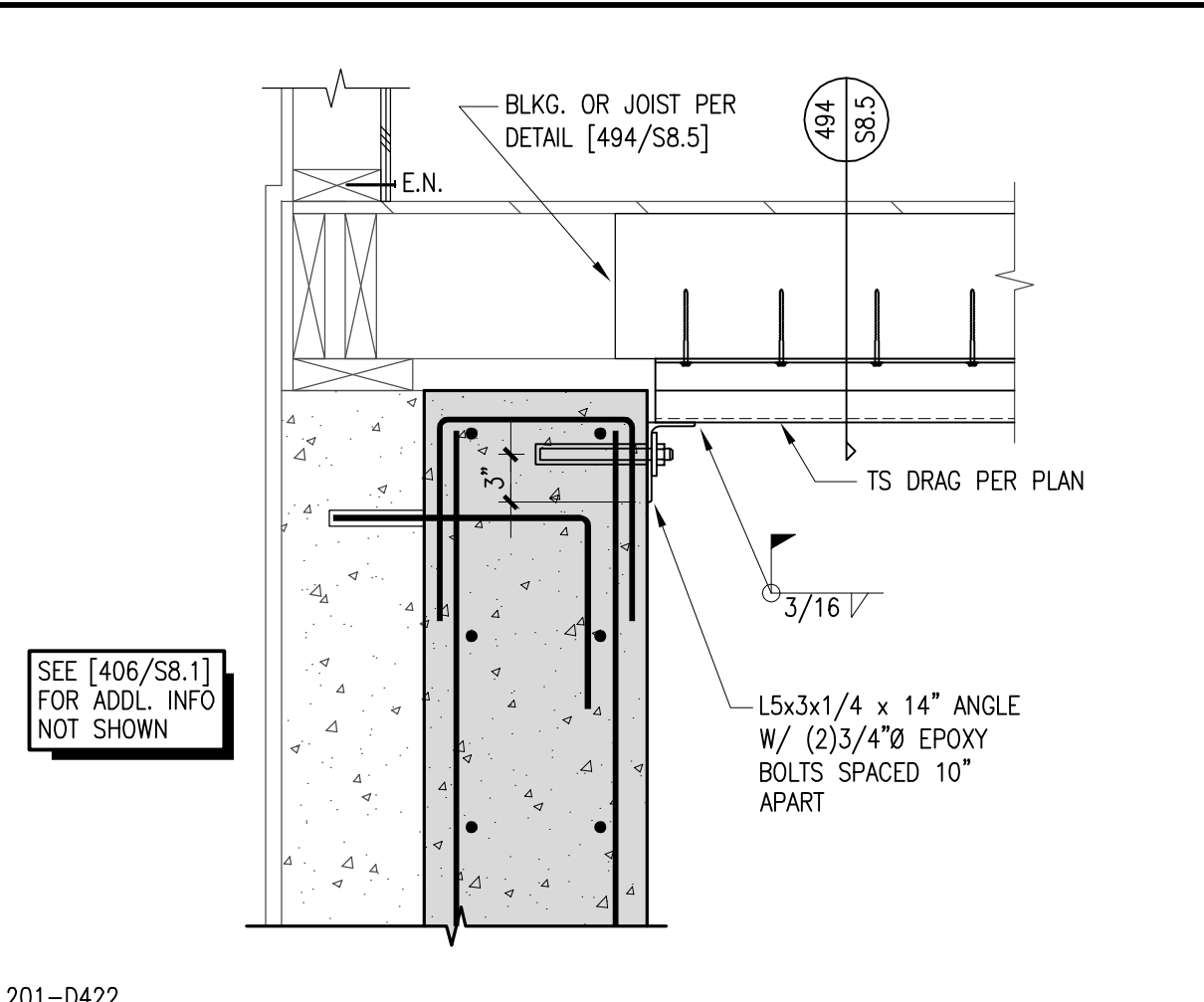
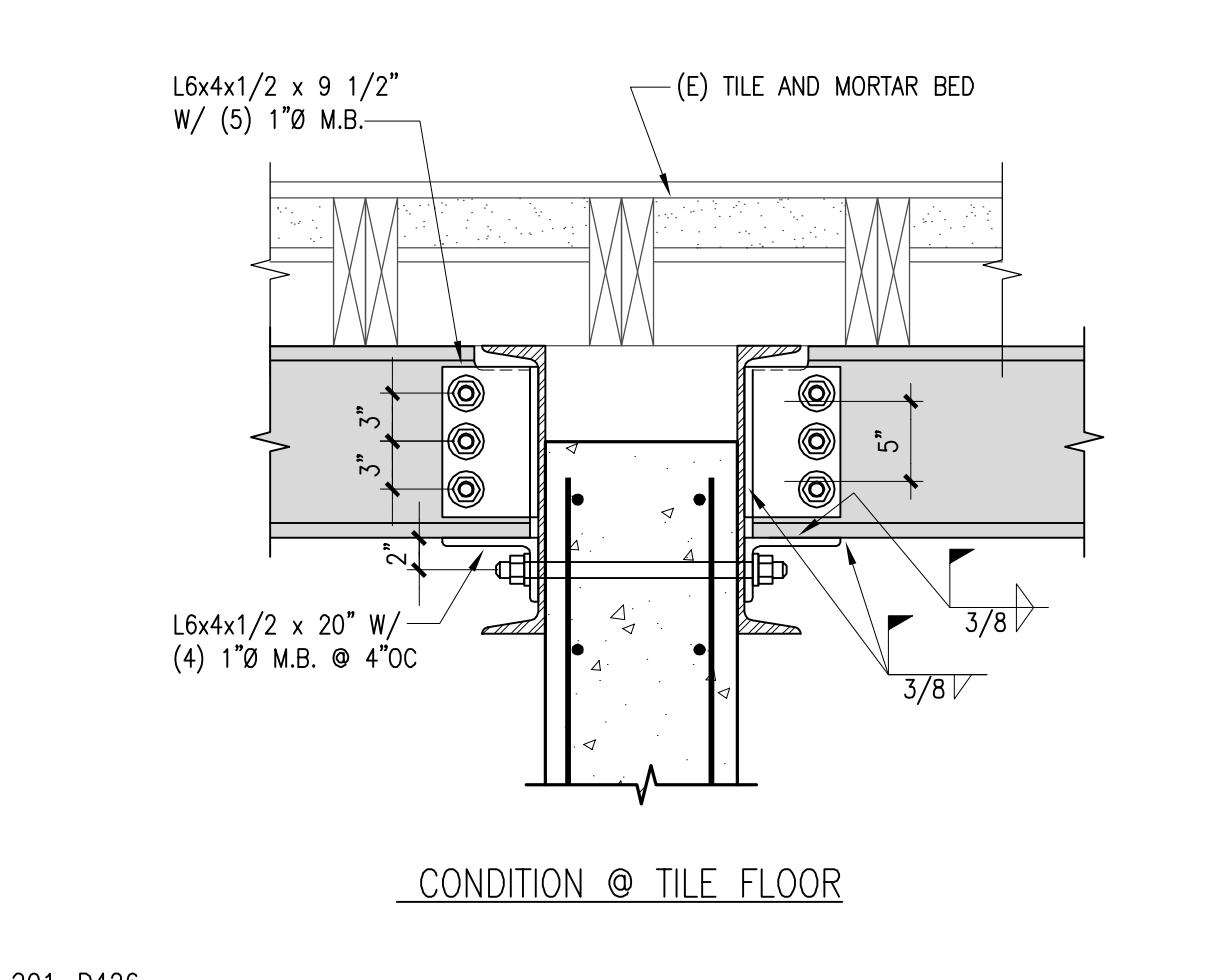


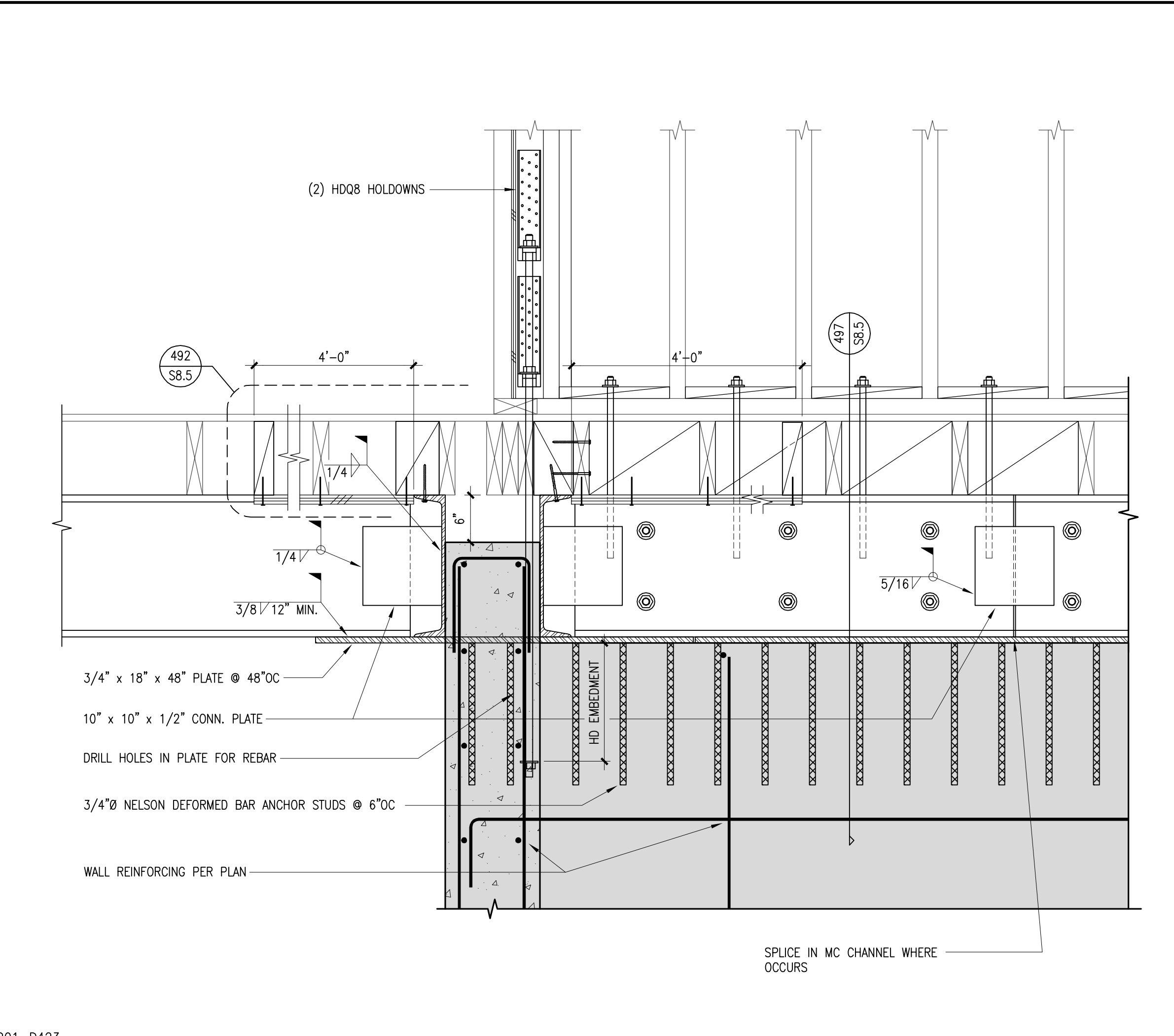
S8.6 Structural Engineers, Inc. is licensed to provide professional engineering services in the State of California. This document is the property of S8.6 Structural Engineers, Inc. and is not to be reproduced, stored in a retrieval system, or transmitted in any form or by any means, electronic, mechanical, photocopying, recording, or by any information storage and retrieval system, without the prior written permission of S8.6 Structural Engineers, Inc.



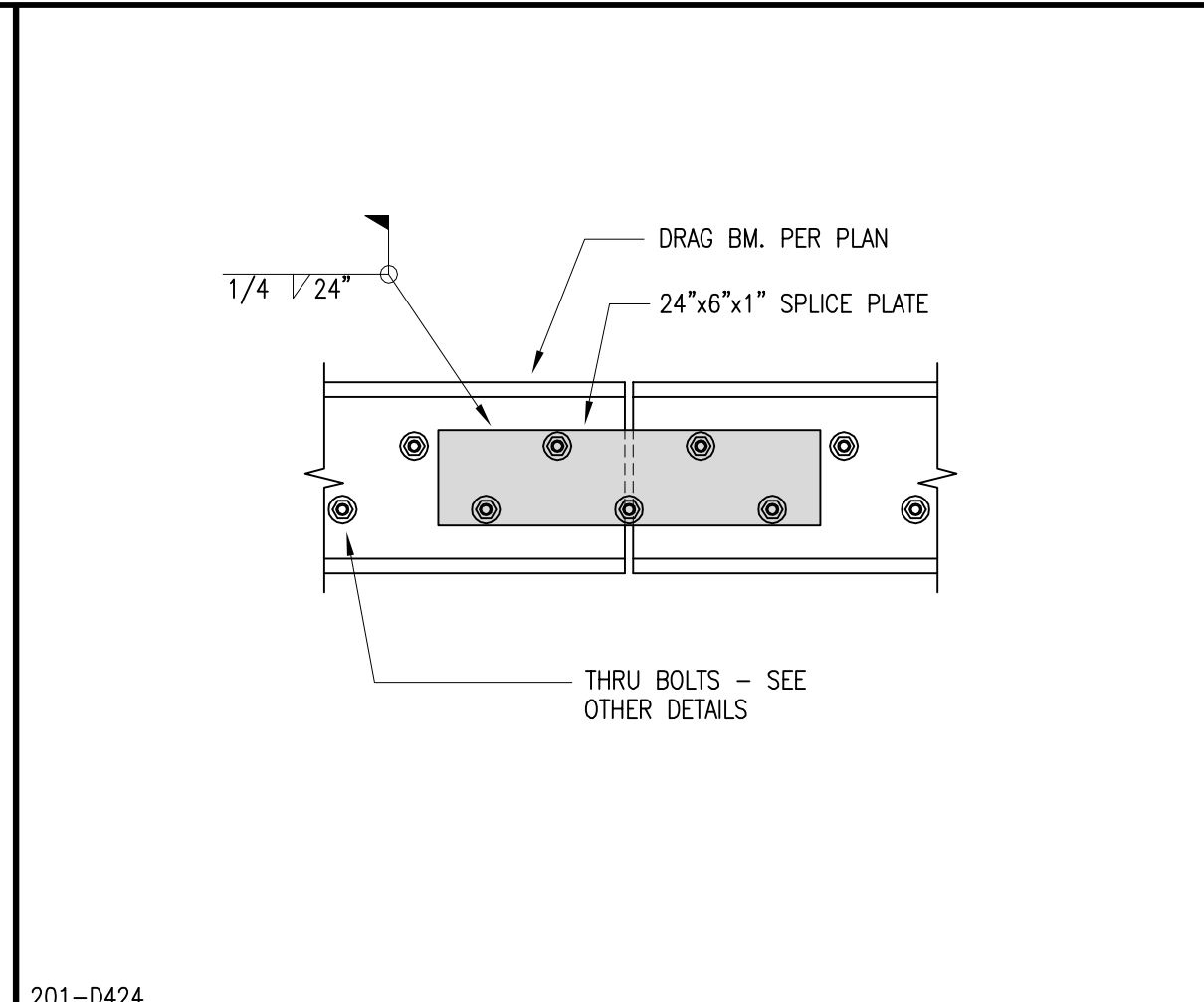
201-D422  
**422 EXT. WALL TO (N) RETAINING WALL** 1"=1'-0"



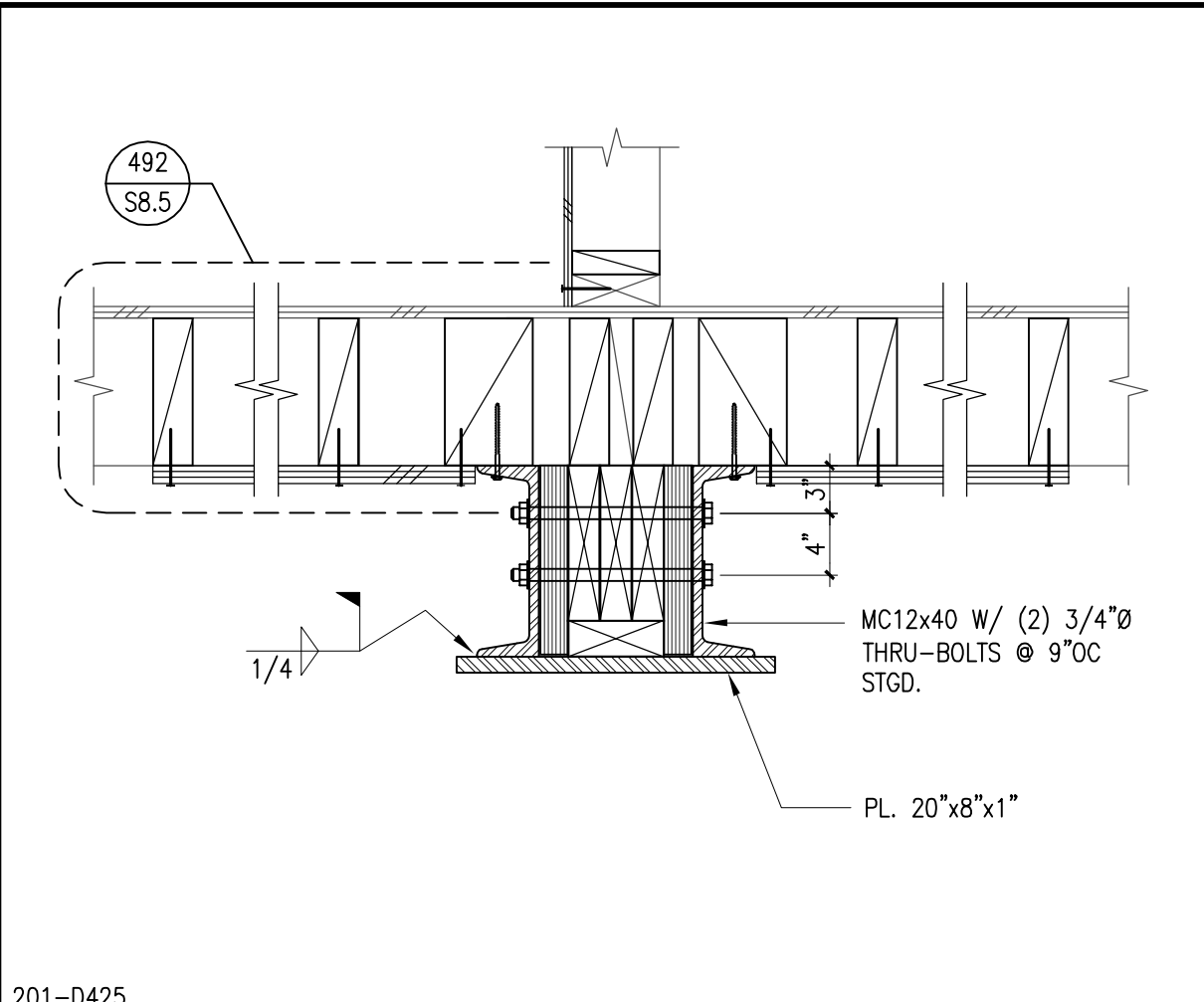
201-D426  
**426 DRAG CONN. @ CONC. WALL** 1"=1'-0"



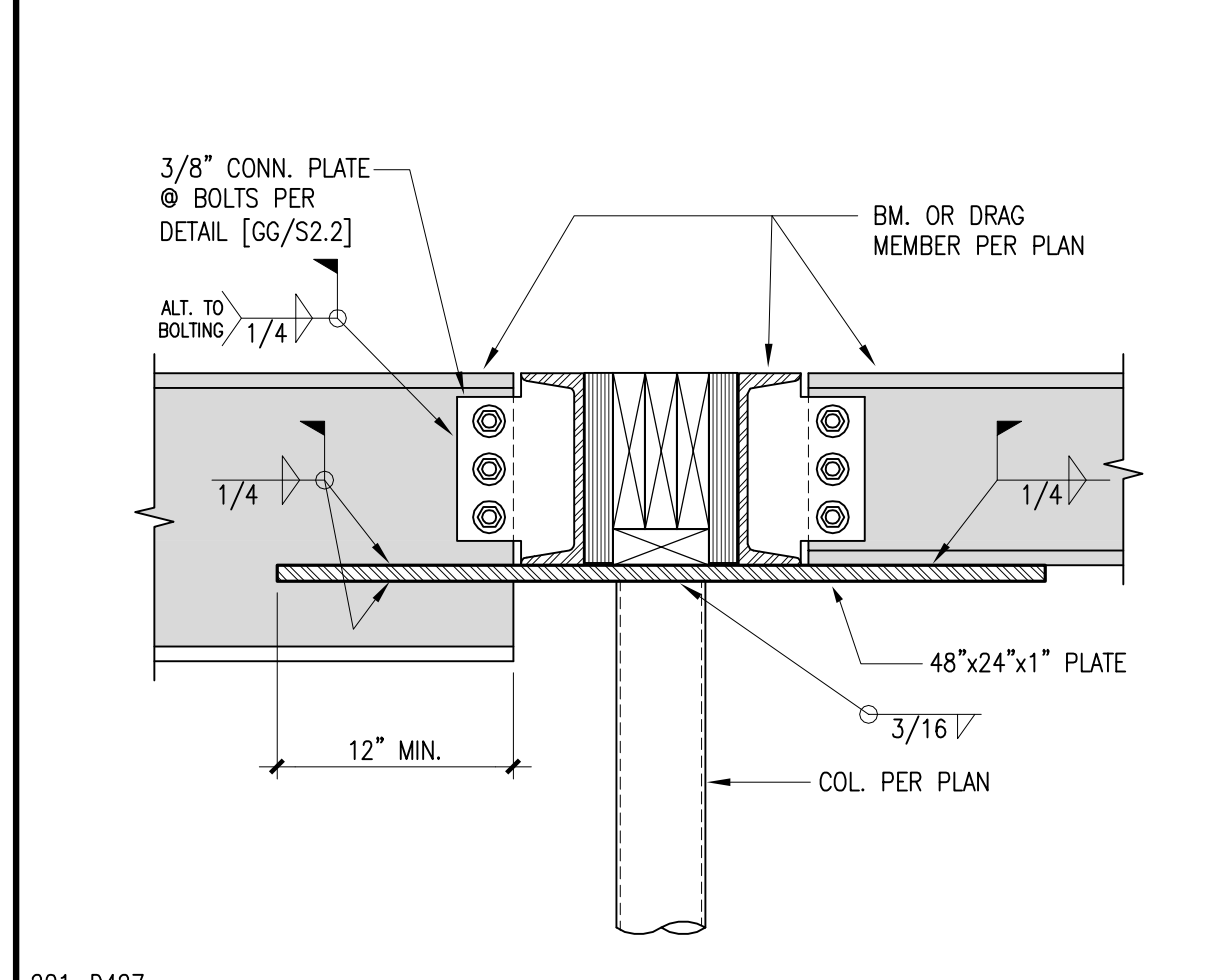
201-D423  
**423 DRAG & HD CONN. @ CONC. WALL** 1"=1'-0"



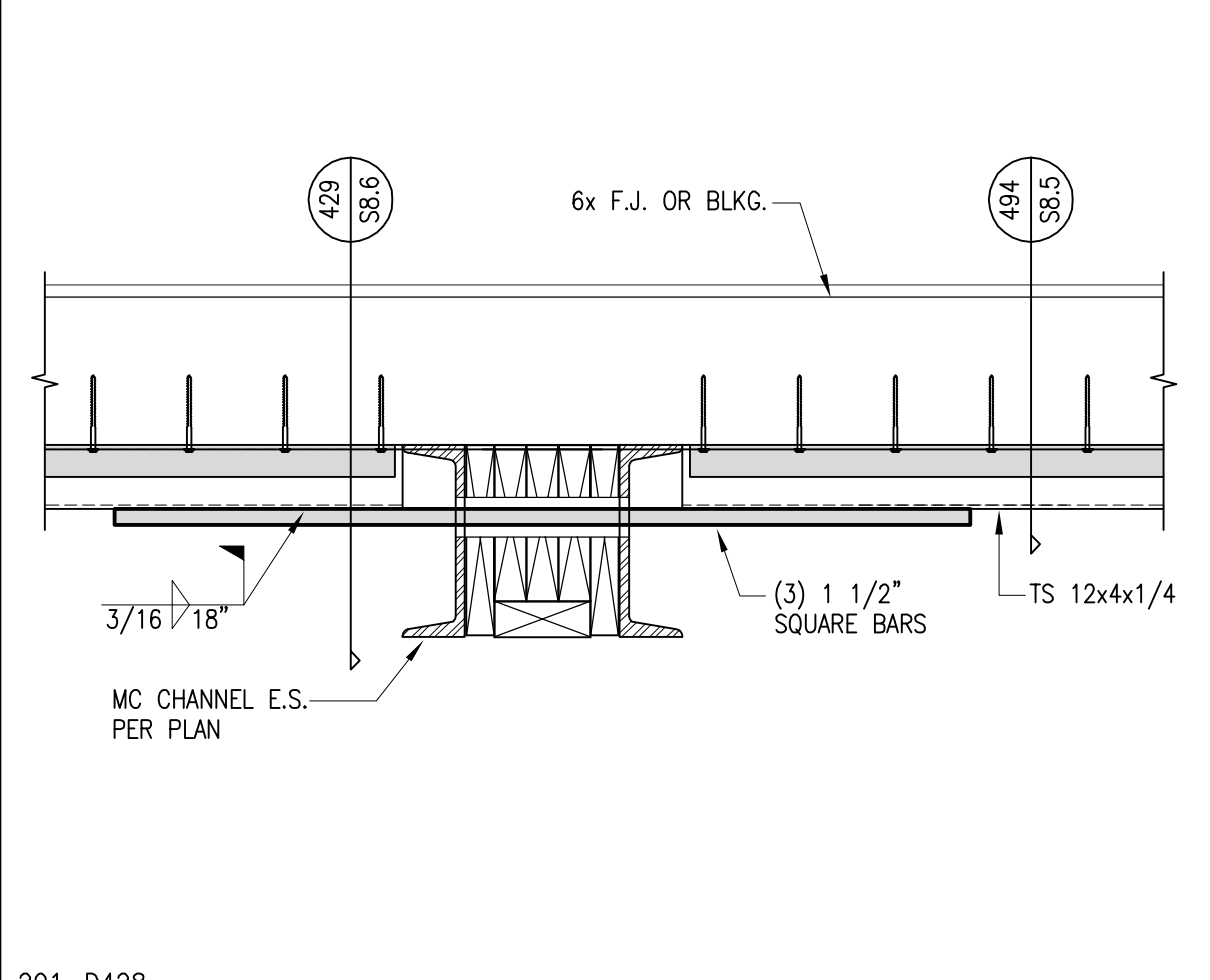
201-D424  
**424 DRAG BEAM SPLICE** 1"=1'-0"



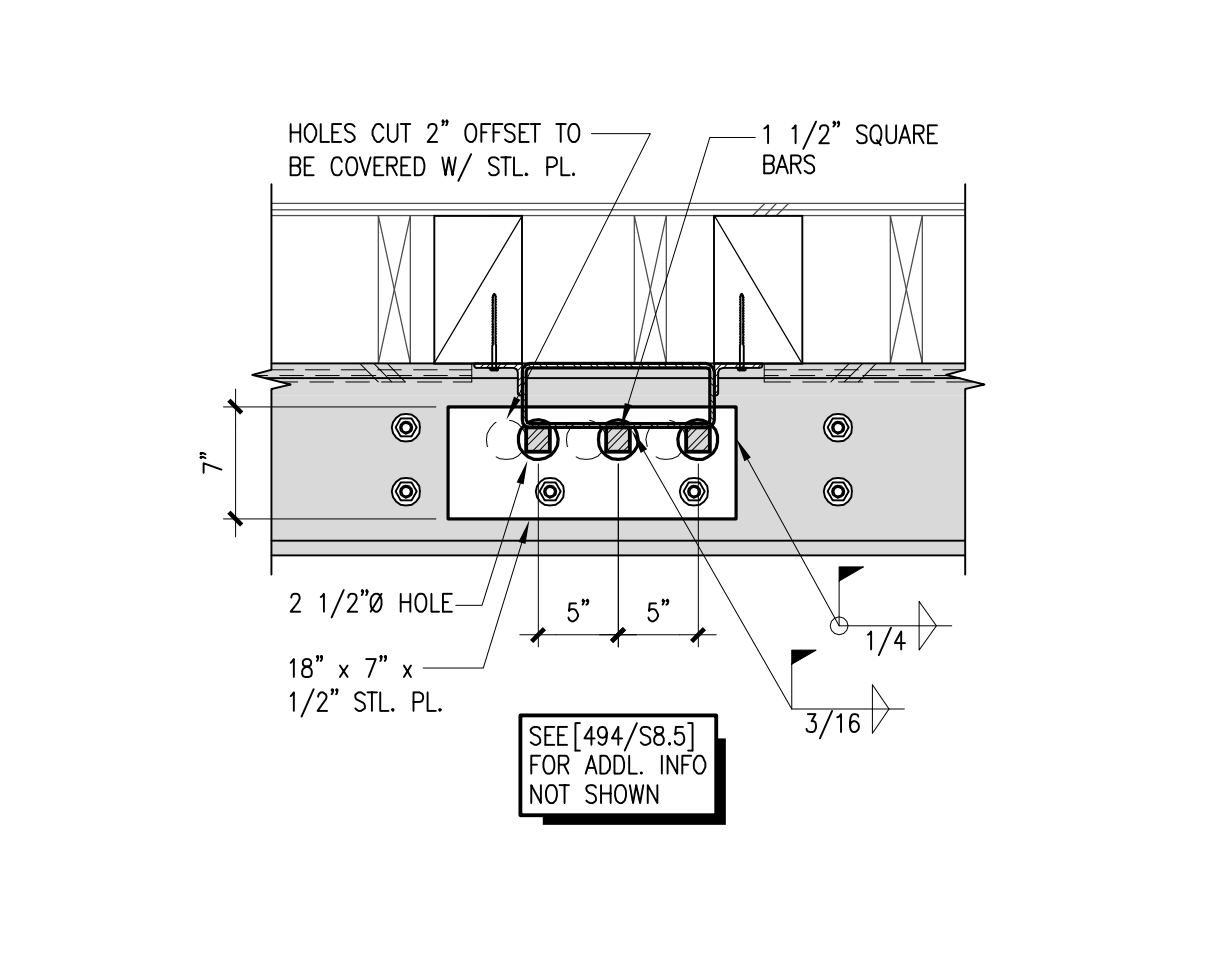
201-D425  
**425 DRAG BM. CONNECTION** 1"=1'-0"



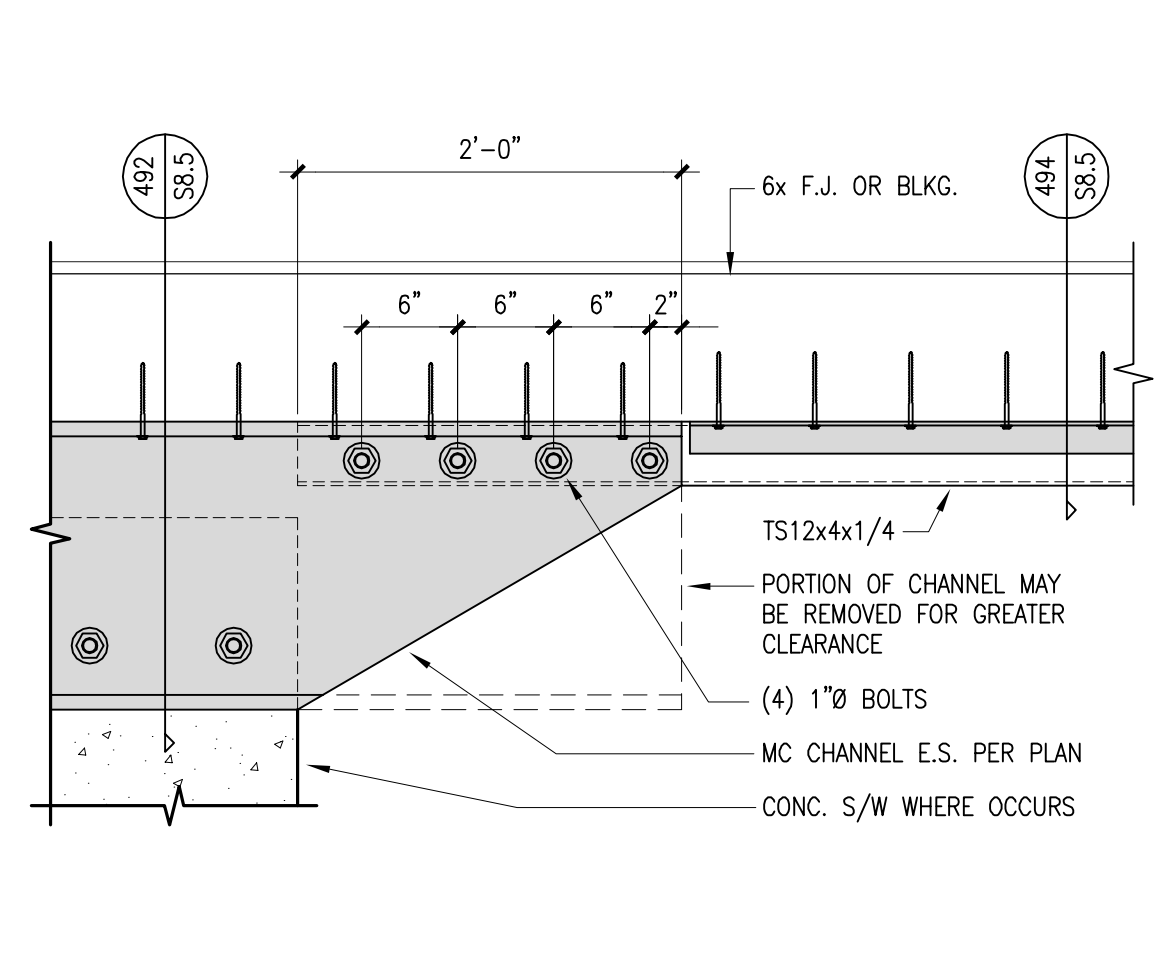
201-D427  
**427 DRAG & BEAM CONNECTION** 1"=1'-0"



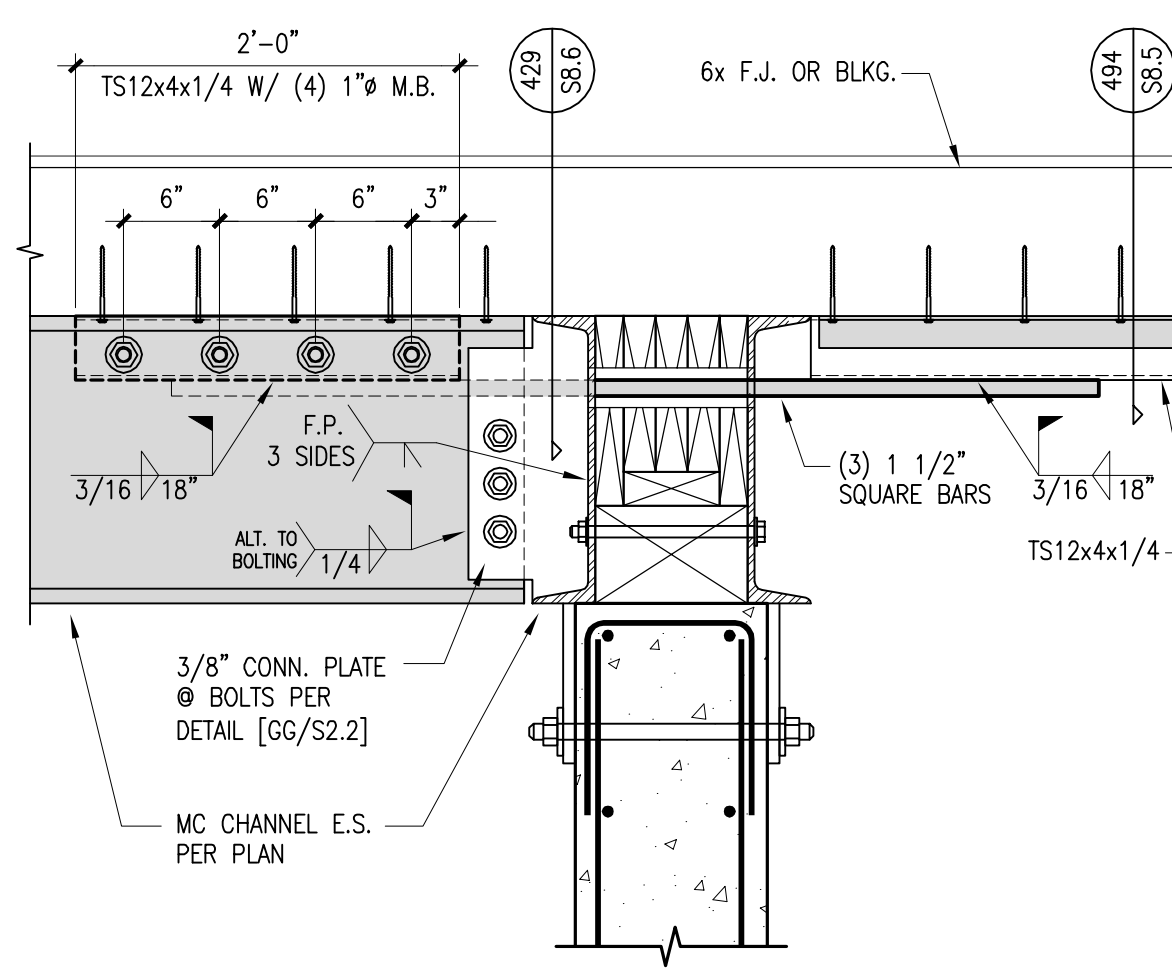
201-D428  
**428 DRAG & SHEAR TRANSFER** 1"=1'-0"



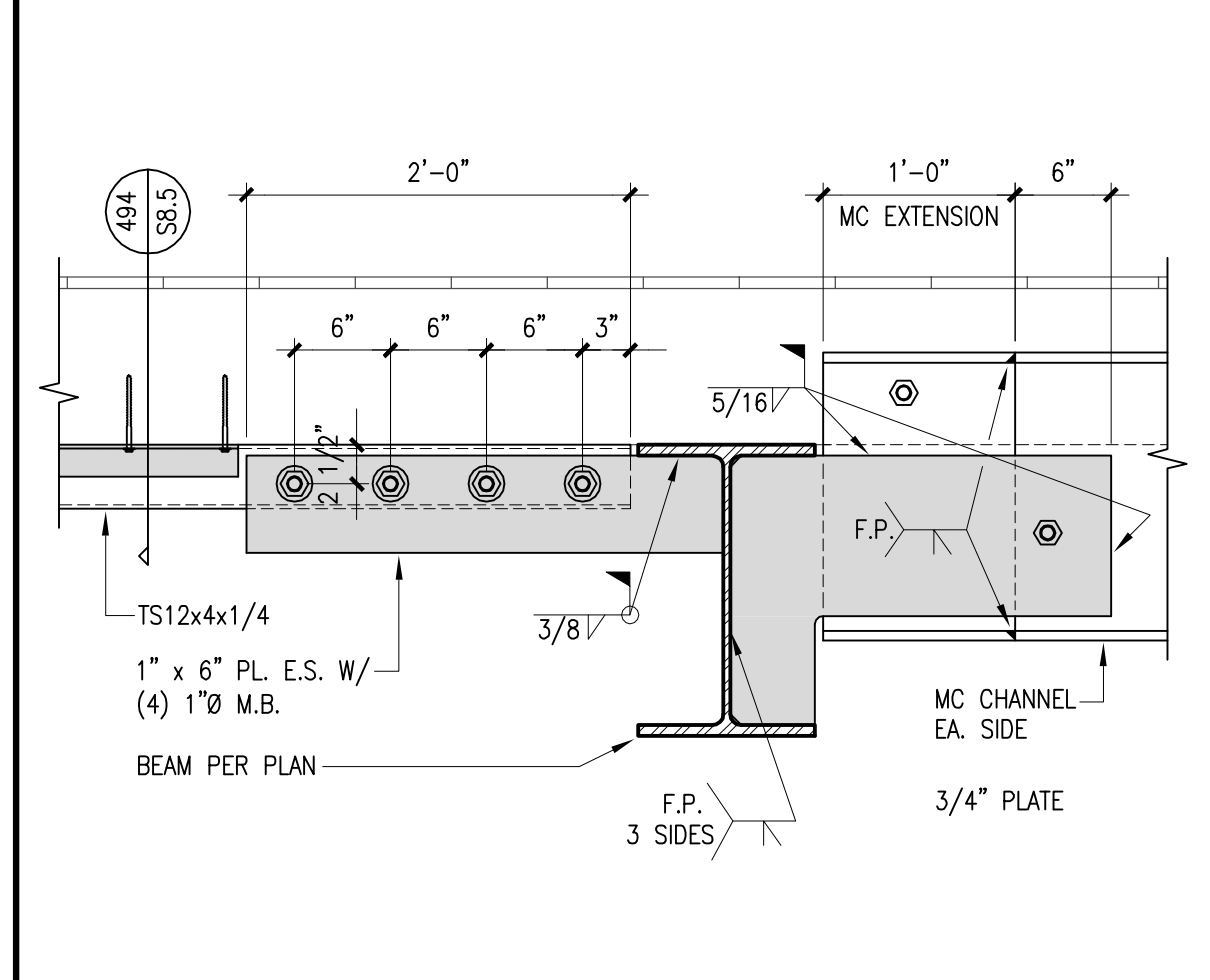
201-D429  
**429 DRAG SPLICE** 1"=1'-0"



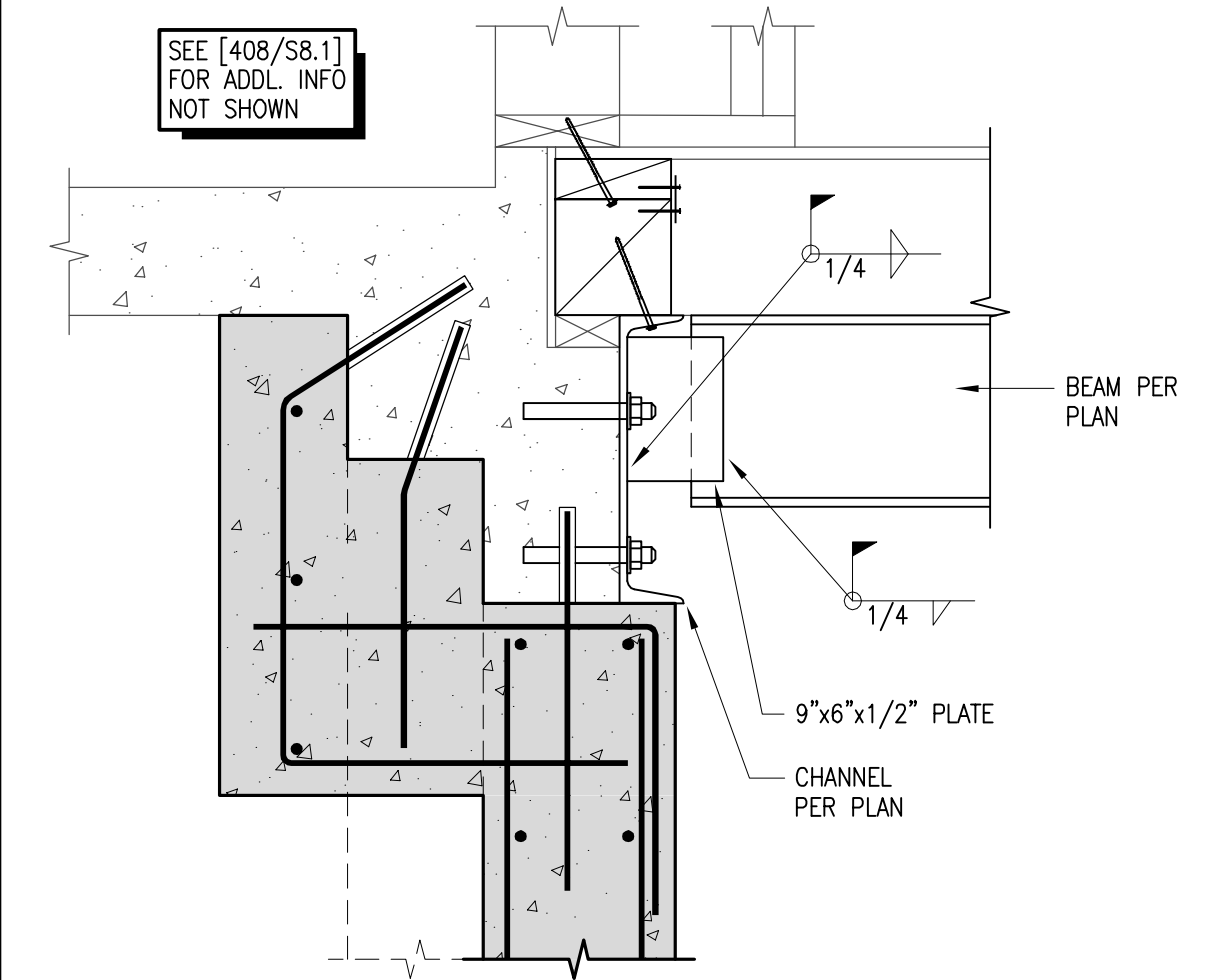
201-D430  
**430 DRAG & SHEAR TRANSFER** 1"=1'-0"



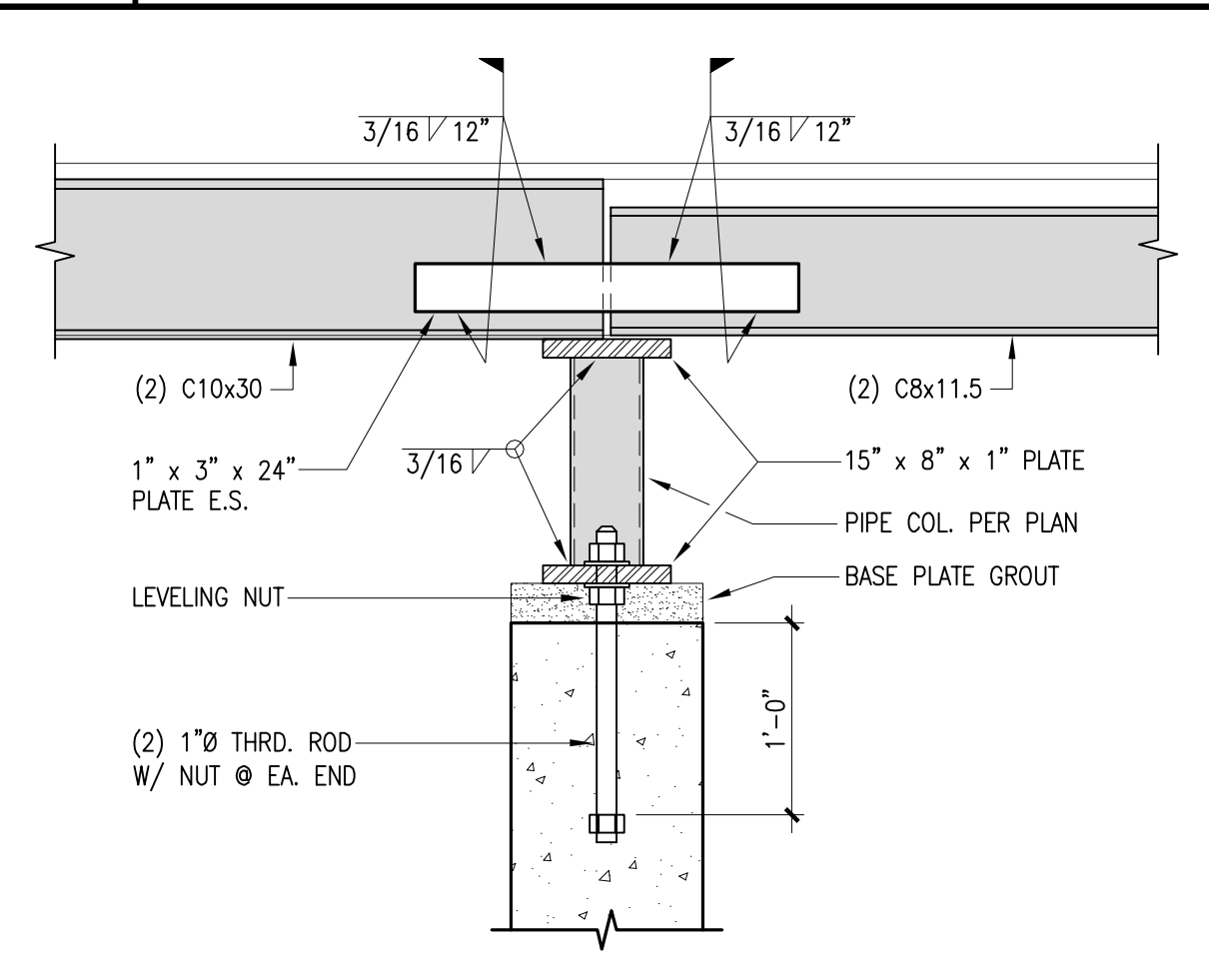
201-D448  
**448 DRAG & SHEAR TRANSFER** 1"=1'-0"



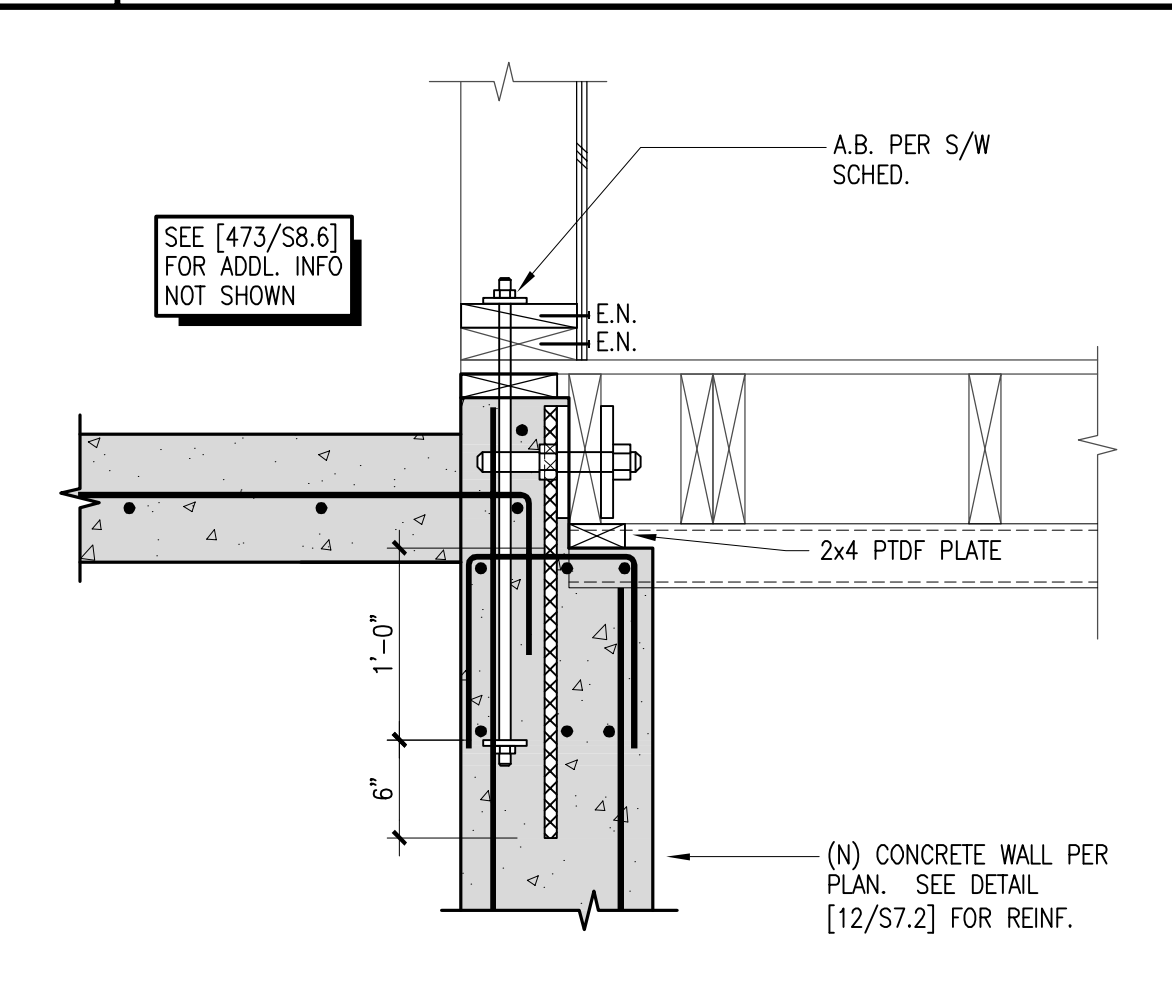
201-D449  
**449 DRAG & SHEAR TRANSFER** 1"=1'-0"



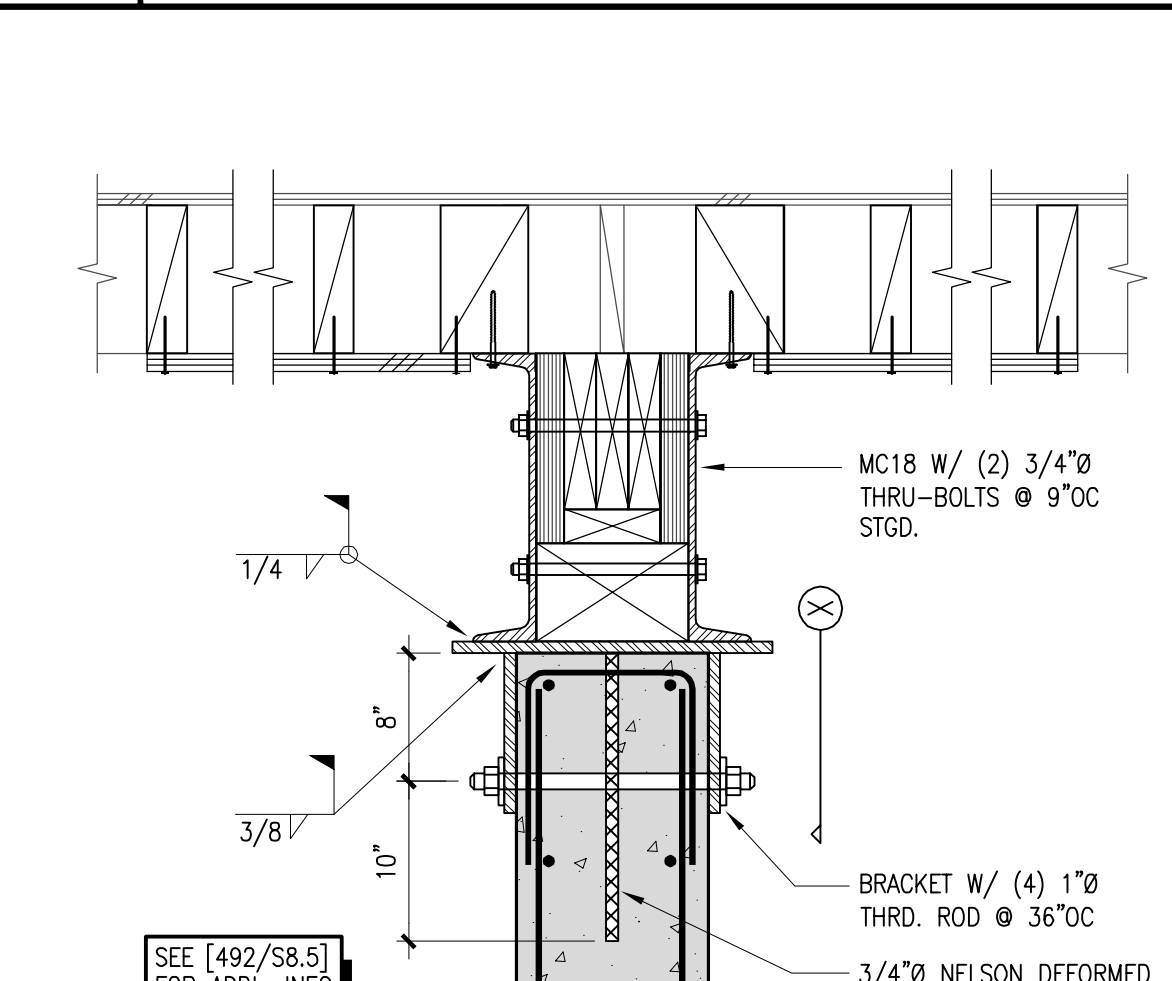
201-D469  
**469 BM. TO CONC. WALL** 1"=1'-0"



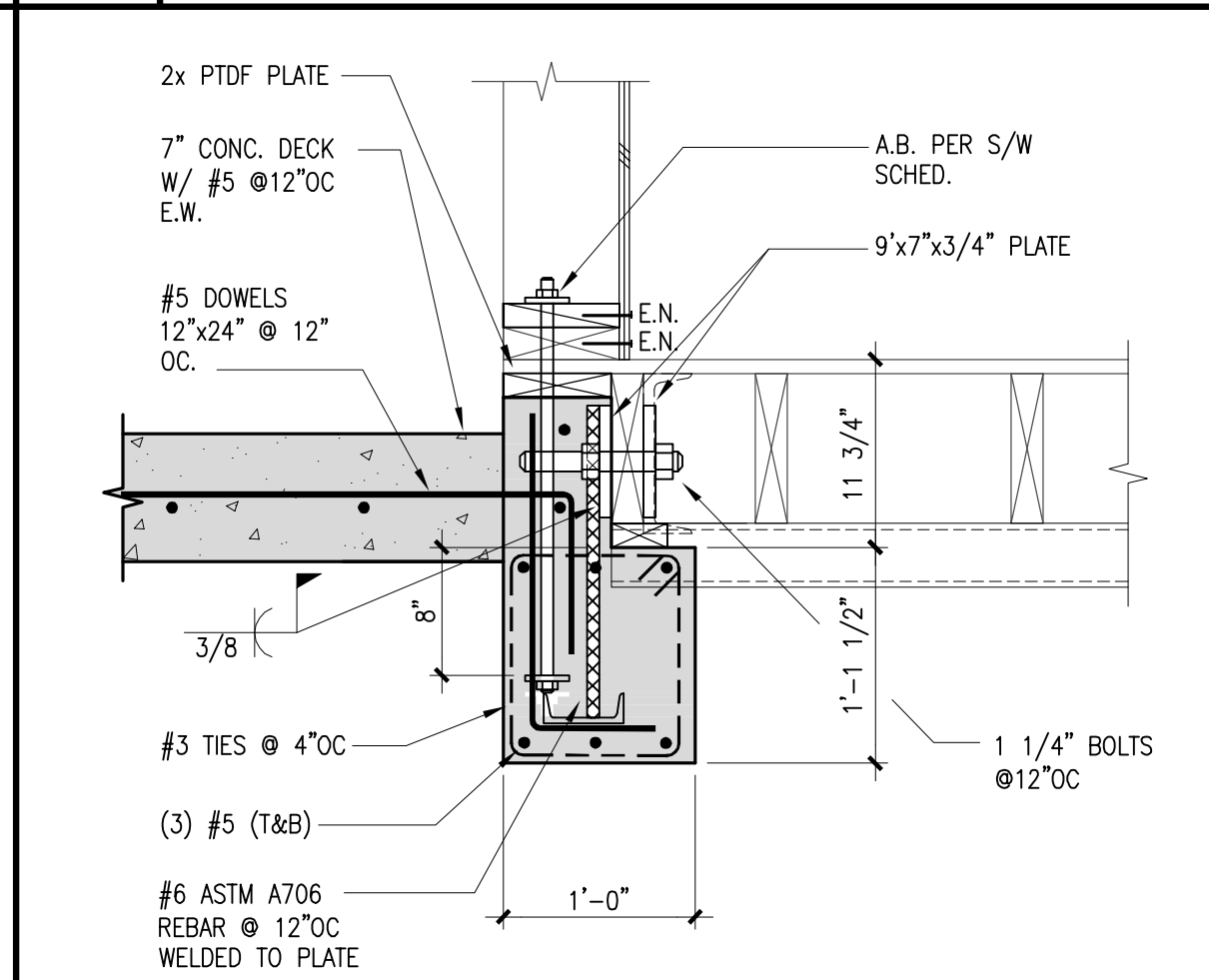
201-D470  
**470 BM. TO CONC. WALL** 1"=1'-0"



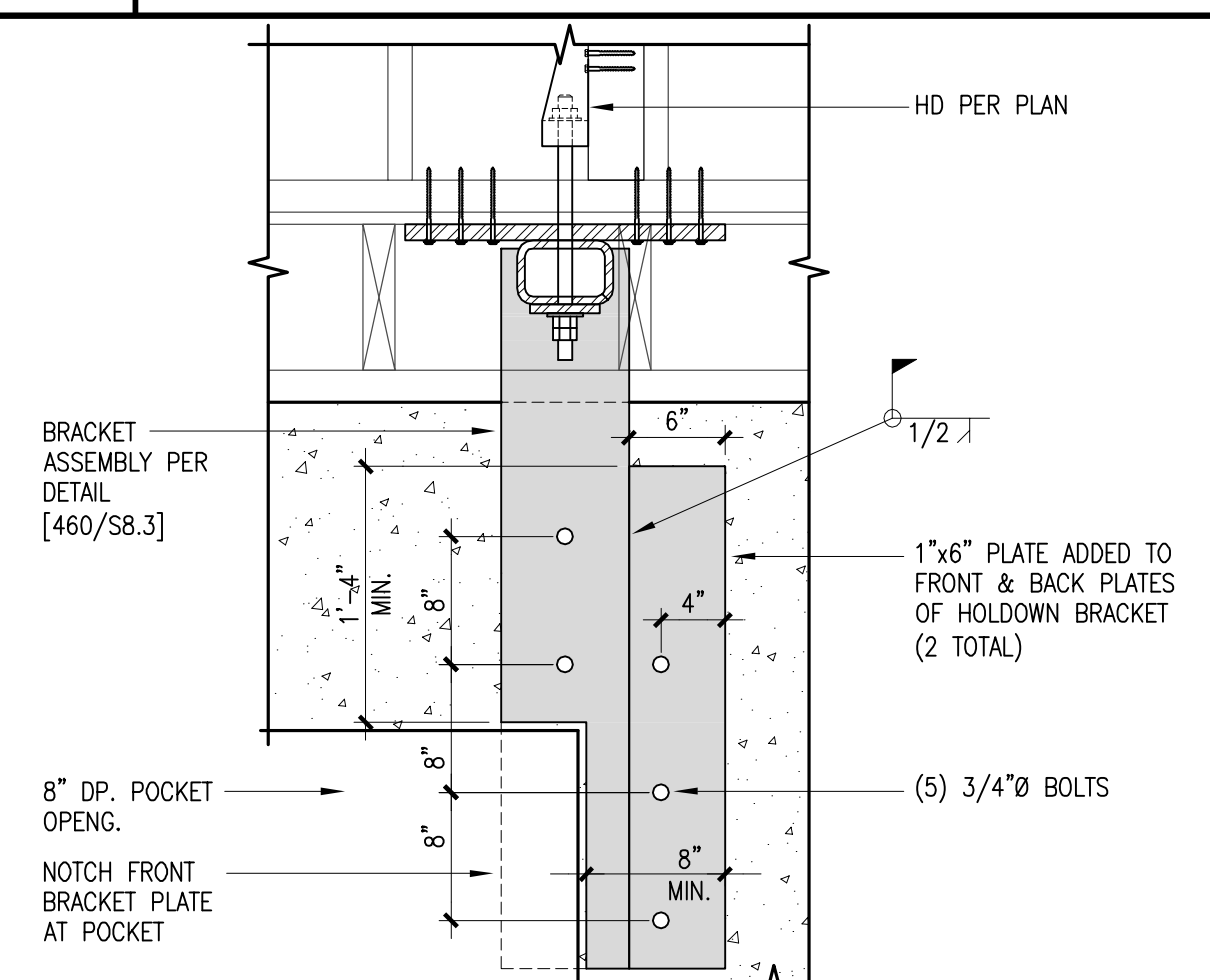
201-D471  
**471 EXTERIOR WALL TO 1ST FLOOR** 1"=1'-0"



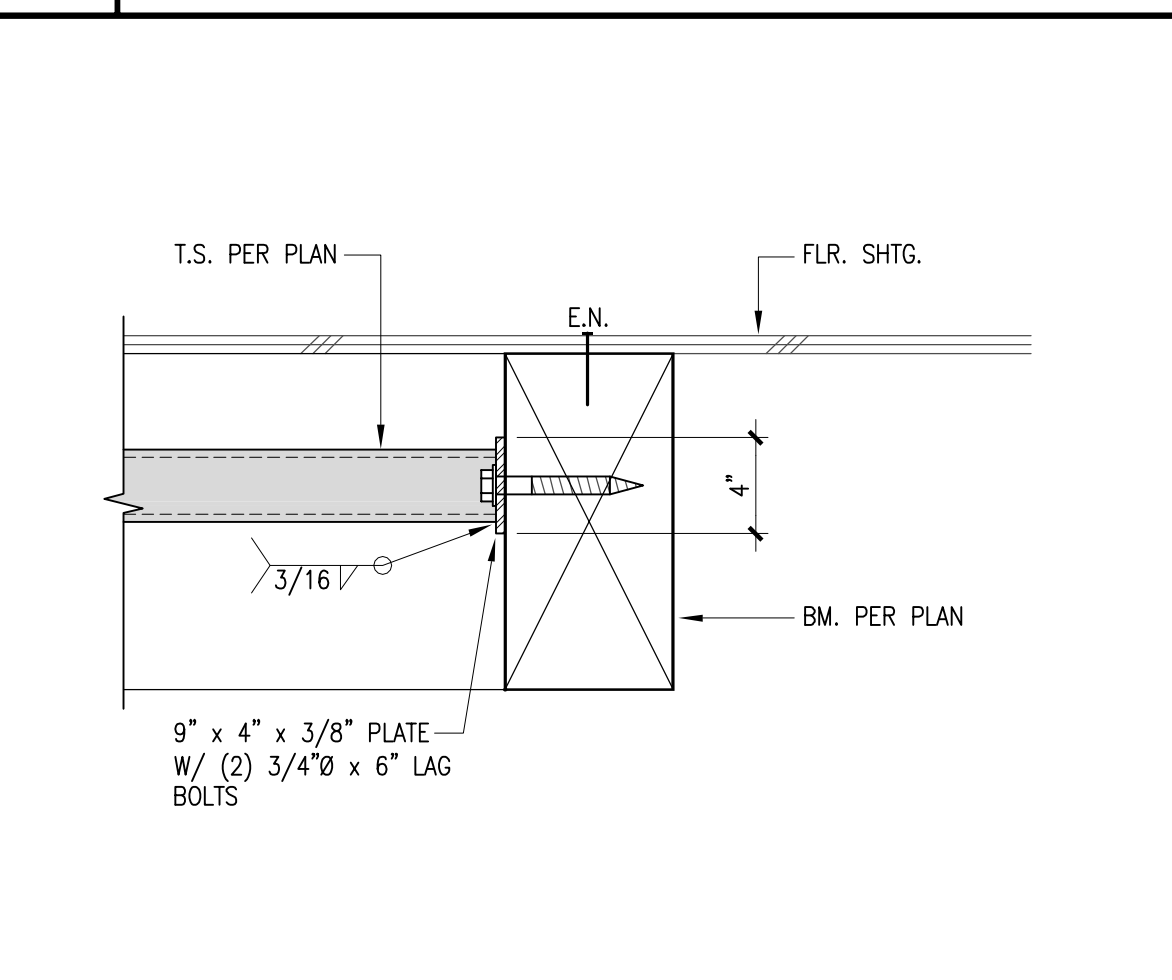
201-D473  
**473 EXTERIOR WALL TO 1ST FLOOR** 1"=1'-0"



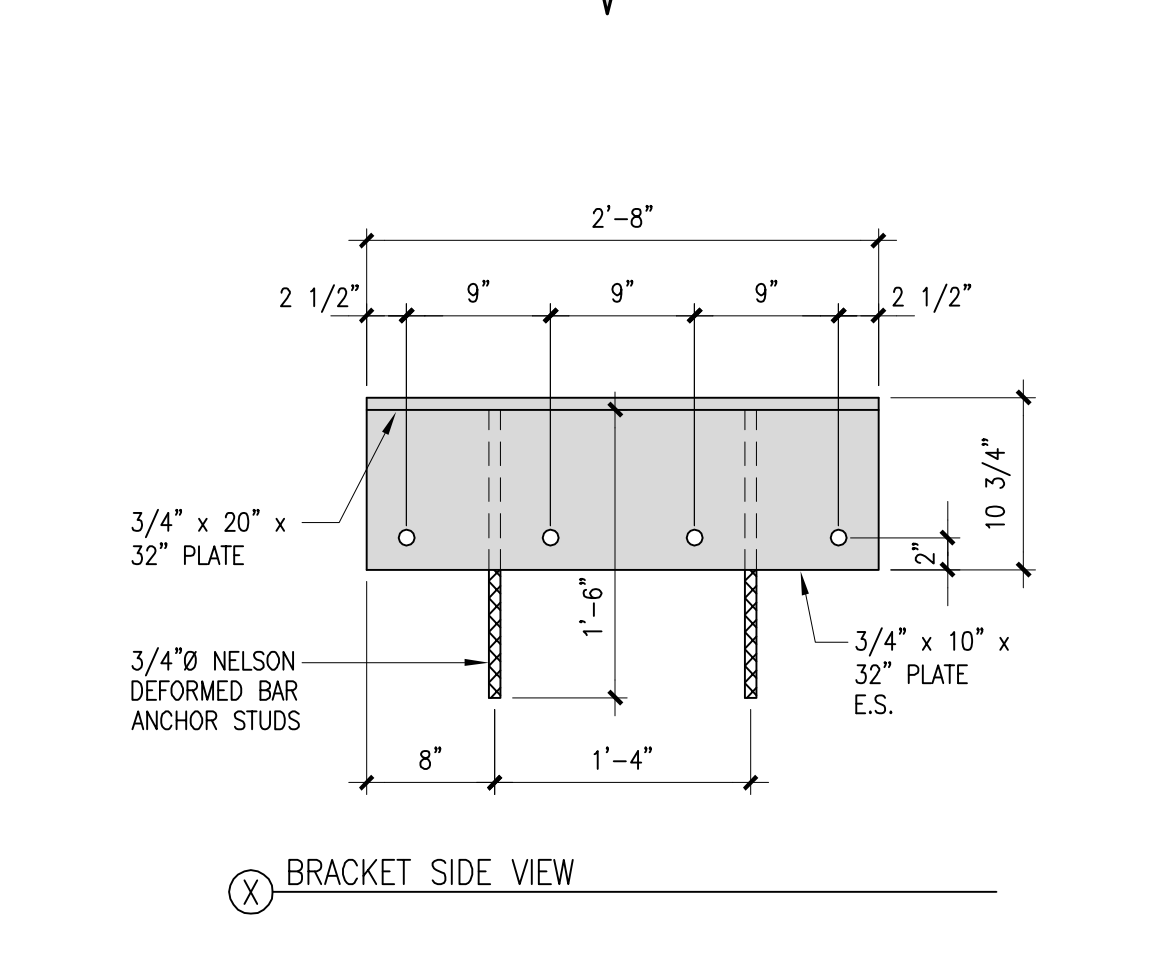
201-D474  
**474 HOLDOWN TO CONC. LINTEL** 1"=1'-0"



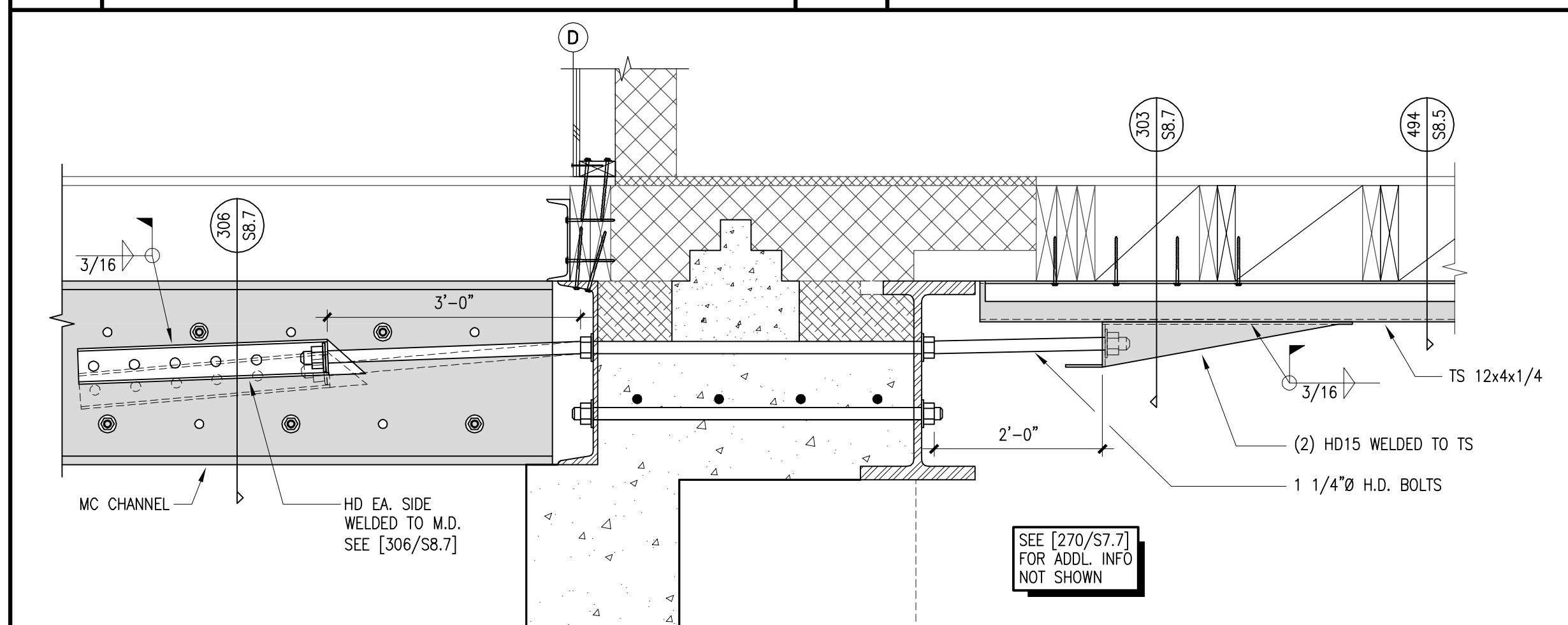
201-D300  
**300 EXT. WALL TO (N) RETAINING WALL** 1"=1'-0"



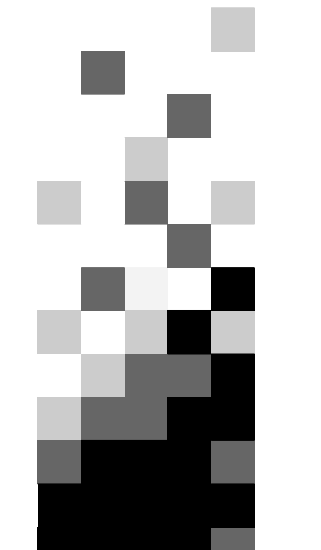
201-D301  
**301 TUBE STEEL TO PLB.** 1 1/2"=1'-0"



201-D472  
**472 DRAG CONN. @ CONC. WALL** 1"=1'-0"



201-D302  
**302 DRAG & SHEAR TRANSFER** 1"=1'-0"

  
**The Conceptual Motion Company**  
 15 West Mason Street, Santa Barbara, CA 93101  
 Tel 805.966.5539  
 Fax 805.966.3349  
 www.conceptualmotion.com


  
 No. S3301  
 exp. 12/31/07  
 STRUCTURAL ENGINEER  
 STATE OF CALIFORNIA

  
**SPELEER**  
 STRUCTURAL ENGINEERS  
 629 STATE STREET  
 SUITE 203  
 SANTA BARBARA  
 CALIFORNIA 93101  
 PH. (805) 568-1750  
 FX. (805) 568-1743  
 spleerengineers.com

**FAR AFIELD ESTATE**  
 670 HOT SPRINGS ROAD  
 MONTECITO, CALIFORNIA

SSE PROJECT #: 92001  
 SSE PLOT DATE: Fri, Jun. 10 '05 03:54pm

NO.	DESCRIPTION	DATE
---	BUILDING DEPARTMENT SUBMITTAL	01/25/05
---	EAST WING FRAMING BID SET	07/08/05
---	STRUCTURAL CONSULTATION	10/21/08

**ESTATE RENOVATION**  
  
**S8.6**  
 FLOOR FRAMING  
 DETAILS & SECTIONS  
 SCALE AS NOTED